

LA 350 Anti-Vibration Mounts

**Load cell with AV mount
for harsh industrial environments**

capacities 300kg to 5,000kg



**Stainless steel load sensor and
loading assembly**

3000 divisions OIML R60 Class C


**Hermetically sealed,
fully welded construction**

5 year warranty

Ease of installation

High integrity cable entry

Sealed to IP68

available in  version

The fully welded stainless steel 350i load cells are hermetically sealed to IP68 and can be used in the harshest industrial environments. Thames Side's AV mounts are suitable for weighing platforms, bag fillers, belt weighers and tank weighing in the Food Processing, Chemical, Pharmaceutical and general Bulk Handling industries.

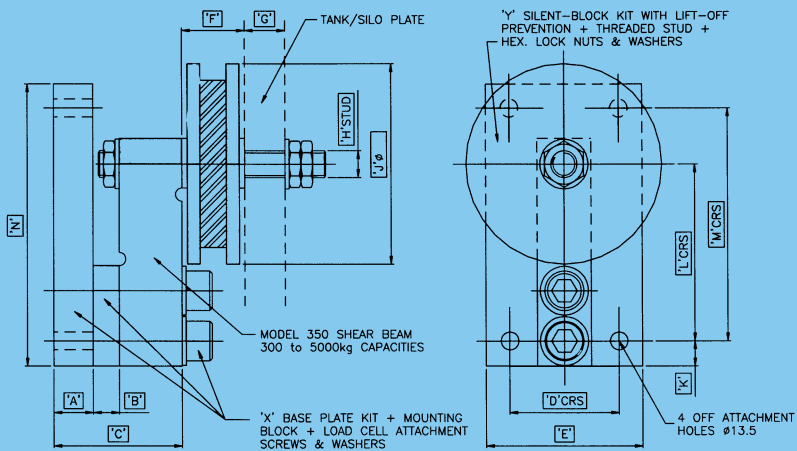
Available with intrinsically safe certification ATEX EEx ia IIC T6 for use in both Dust and Gas zones.

technical specification sheet

LA 350 Anti-Vibration Mounts

	Load Cell Capacities	Units
	300, 500, 1000, 2000, 3000, 5000	kg
Rated Output	2	mV/V±0.1%
Accuracy Class	3000	n.OIML
Combined Error	<±0.017	%*
Non-repeatability	<±0.015	%*
Creep (30minutes)	<±0.016	%*
Temperature Effect on Zero Balance	<±0.01	%*/°C
Temperature Effect on Span	<±0.006	%*/°C
Compensated Temperature Range	-10 to +40	°C
Operating Temperature Range	-20 to +70	°C
Safe Overload	150	%*
Ultimate Overload	200	%*
Zero Balance	<±2	%*
Input Resistance	400	Ω ± 20
Output Resistance	350	Ω ± 3
Insulation Resistance	>5000	M.Ω @ 100v
Recommended Supply Voltage	10	V
Maximum Supply Voltage	15	V
Environmental Protection	IP68	

*With respect to rated output



Our policy is one of continuous product enhancement. We therefore reserve the right to incorporate technical modifications without prior notification.

Distributed by



Thames Side Sensors Ltd

Unit 10, io Trade Centre, Deacon Way,
Reading, Berkshire RG30 6AZ
tel: +44 (0) 118 941 1387 fax: +44 (0) 118 941 2004
e-mail: sales@thames-side.co.uk
web: www.thames-side.com

LA350 Issue 1/2008

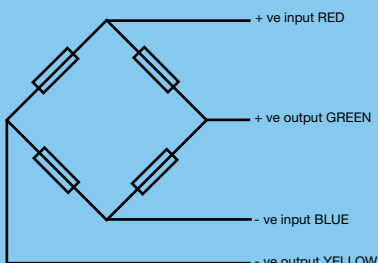
Range (kg)	A	B	C	D	E	F	G	H	Jø	K	L CRS	M CRS	N
300 - 2000	20	20	71.5	70	100	41	0...35	M12	100	16	101.6	136	168
3000 & 5000	30	20	98	84	120	44	10...35	M20	150	19	133.3	175	212

All dimensions in mm.

Electrical Connections

Via 4 core, 5m, 5.7mm dia., screened polyurethane cable.

Screen not connected electrically to load cell.



Nominal shipping weight = 1kg

Construction

Load cell and loading assembly manufactured from 17-4PH stainless steel heat treated to H900 condition - 1379N/mm² UTS.
Base-Stainless Steel