

Smart

Digital Weight Indicator for Silo, Tank and Vessel Weighing



User friendly configuration and calibration menu	High resolution, 100,000 external divisions
7 digit high brightness LED display	OIML R76 and EN 45501 approved
Digital communications	Excitation for up to 4 x 350ohm or 8 x 700 ohm load cells
Lineariser function	IP65 stainless steel enclosure with mounting kit
Multi-range for dual range and dual division	Configurable as a remote display

Vessel weight indication problems solved simply and cost effectively. The Smart range of digital indicators is the latest addition to an innovative range of weighing instrumentation from Thames Side Sensors Ltd.

technical specification sheet

Smart

		Versions		
		Smart	Smart Multi 1	Smart Multi 2
Resolution	24 bit A/D	x	x	x
Internal divisions	16 million	x	x	x
External divisions	100,000	x	x	x
Excitation	6VDC	x	x	x
AC Power Supply	220+/- 10% V AC 50/60Hz , 6W	x	x	x
DC Power Supply	12 V DC (9-18V DC) 600 mA	x	x	x
Approval	OIML R76, EN 45501, single or multi-range	x	x	x
Analogue outputs	0-5V, 0-10v, 0-20mA, 4-20mA; Opto-isolated			x
Digital Inputs	4		x	x
Digital Outputs	4		x	x
Network Comms	RS485 and RS232T		x	x
Serial Comms	RS232	x	x	x
Enclosure	stainless steel	x	x	x
Display digits	7 x 20mm	x	x	x
Readings per second	50	x	x	x
Linearity Correction		x	x	x
Clock	Clock Date-Time		x	x
Cable gland and terminal connections	Hermetically sealed	x	x	x
Environmental Protection	IP65	x	x	x
Pre-calibration mV facility		x	x	x
Piece counting facility		x	x	x

In the interests of continued product development, Thames Side Sensors Ltd reserves the right to alter product specifications without prior notice.

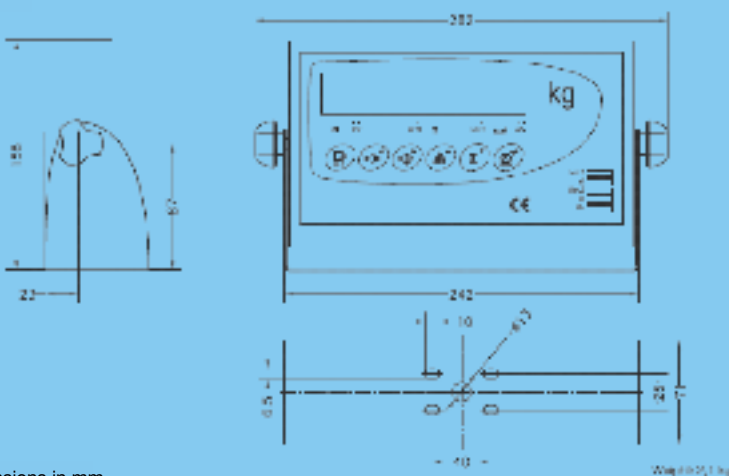
Distributed by



Thames Side Sensors Ltd

Unit 10, io Trade Centre, Deacon Way,
Reading, Berkshire RG30 6AZ
tel: +44 (0) 118 941 1387 fax: +44 (0) 118 941 2004
e-mail: sales@thames-side.co.uk
web: www.thames-side.com

SMART



All dimensions in mm