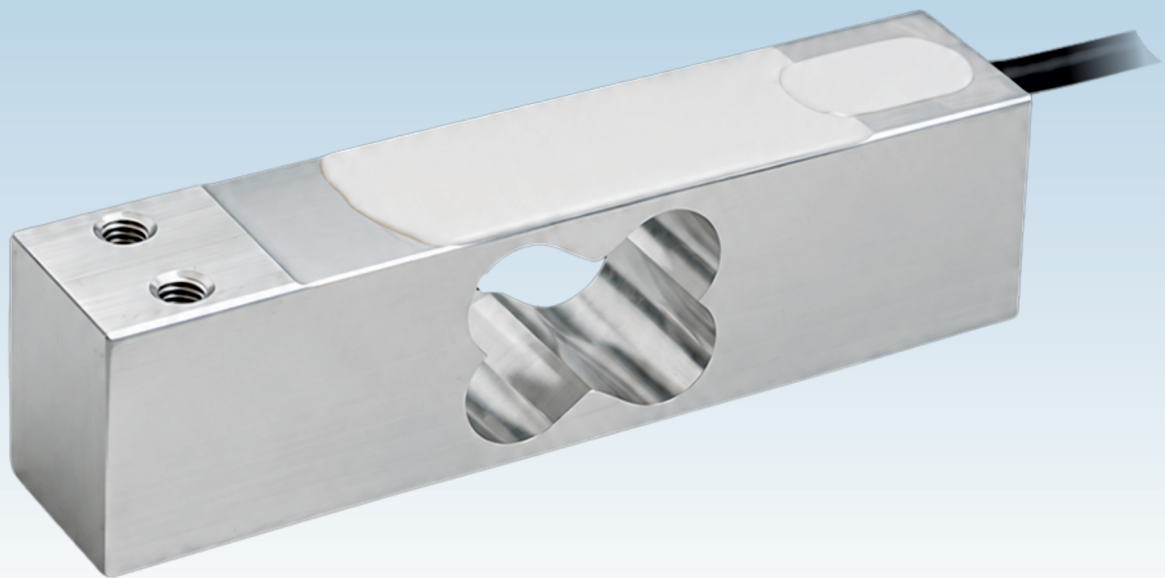


HIGH ACCURACY ALUMINIUM SINGLE POINT LOAD CELL

capacities 7.5kg - 36kg



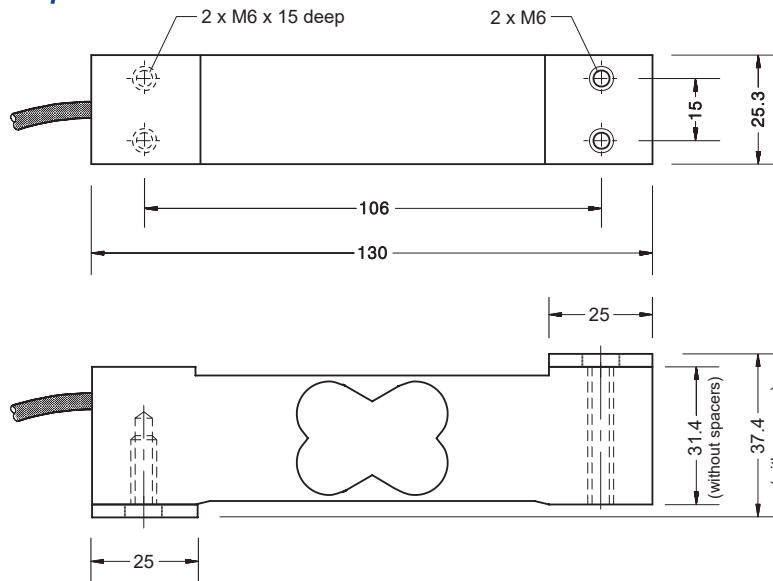
This double bending beam single point load cell is manufactured from high quality aluminium alloy. Its design allows for high accuracy weight measurement with off-centre loads. It's potted and sealed to IP66.

Typical applications include: single point platforms up to 400 x 400mm in size, small buckets and hoppers supported by a single load cell, small bagging & dosing machines, filling scales, price computing scales and counting scales.

- High quality aluminium alloy load sensor
- High accuracy with off-centre loads
- Potted and sealed to IP66
- 3000 divisions performance
- 3 Year Warranty
- 400 x 400mm maximum platform size (load cell placed centrally under the platform)

T8

technical specification...



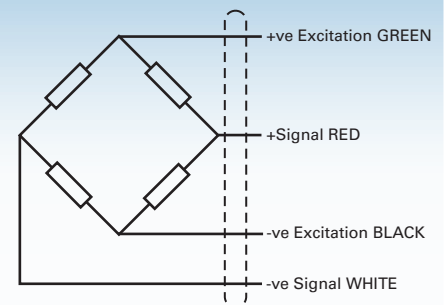
All dimensions in mm

Qty. 2 x spacer plates (3mm thick) are included and can optionally be used

T8 Load Cell

	Load cell specification	Units
Load Cell Capacity (E_{max})	7.5, 12, 18, 36	kg
Rated Output (S_n)	2	mV/V \pm 10 %
Combined Error	$< \pm 0.017$	% S_n
Non-Repeatability	$< \pm 0.01$	% S_n
Medium Load cell interval (v_{min}) = E_{max} / Y	$E_{max} / 7500$	kg
Creep (30 minutes)	$< \pm 0.016$	% S_n
Temperature Effect on Zero Balance	$< \pm 0.002$	% $S_n / ^\circ C$
Temperature Effect on Span	$< \pm 0.0012$	% $S_n / ^\circ C$
Compensated Temperature Range	-10 to +40	$^\circ C$
Operating Temperature Range	-20 to +70	$^\circ C$
Safe Overload	120	% E_{max} *
Ultimate Overload	150	% E_{max} *
Zero Balance	± 2	% S_n
Input Resistance	400 ± 20	Ω
Output Resistance	350 ± 3	Ω
Insulation Resistance	> 5000	M Ω @ 100V
Recommended Supply Voltage	5-15	V
Maximum Supply Voltage	15	V
Environmental Protection	IP66	-
Maximum Deflection at E_{max}	0.2-0.4	mm
Cable Length	0.8	m
Cable Material	PVC	-
Nominal Shipping Weight	0.5	kg

* Load limit applies to central loads only. Load limit for off-centre loads will be lower



Electrical Connections

Via 4 core, 4mm diameter, screened PVC cable.
Screen not connected electrically to load cell.

Construction

Load cell manufactured from high quality aluminium (aluminum) alloy.

DISTRIBUTED BY:

THAMES SIDE SENSORS LTD

Unit 10, io Trade Centre, Deacon Way,
Reading, Berkshire RG30 6AZ, UK
tel: +44 (0) 118 941 1387
sales@thames-side.co.uk
www.thames-side.com



Issue: EN/T8.05.26

Our policy is one of continuous product enhancement. We therefore reserve the right to incorporate technical modifications without prior notification.

