

COMPRESSION COLUMN LOAD CELL FOR WEIGHBRIDGES (TRUCK SCALES)

capacities 30t, 40t



This stainless steel self-centering rocker column load cell is fully welded and hermetically sealed, with protection to IP68 and IP69K. It's an ideal solution for weighbridges (truck scales) thanks to its approval to OIML C4 (4000 divisions) and integral lightning surge arrestors. As well as being extremely tough, the cable's halogen-free Polyurethane sheath has high resistance to rats, chemical attack, cuts, ultraviolet light and temperature changes.

Anti-rotation is achieved by means of 2 flat faces on either side of the load cell base, with corresponding flat faces in the lower mounting cup.

Corner adjustment time is minimised because the T35 has optimized pre-corner adjustment (calibrated in mV/V/Ohm by output current matching at $\pm 0.05\%$).

For use in weighbridges (truck scales) a set of zinc plated steel mounting cups, centering discs and bolts is available as an optional accessory.

For applications in aggressive environments where stress corrosion or acid attack could be a problem, a special Parylene coating can be specified as an option. An optional High Temperature version is also available.

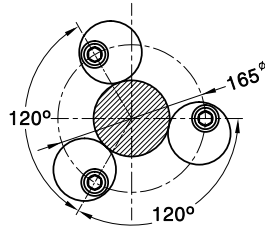
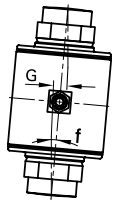
- Stainless steel load cell, fully welded and hermetically sealed
- Protected to IP68 and IP69K
- In-built surge arrestors for lightning protection
- Industry standard height and mounting pattern
- Calibrated in mV/V/Ohm, by output current matching at $\pm 0.05\%$, to minimise corner adjustment
- PU cable is highly resistant to rats and other forms of attack
- Approval to OIML R60 C4 (4000 divisions)
- Y-value of 15,000 divisions
- Wide operating temperature range
- High Temperature and Parylene coating options available
- 3 Year Warranty

T35

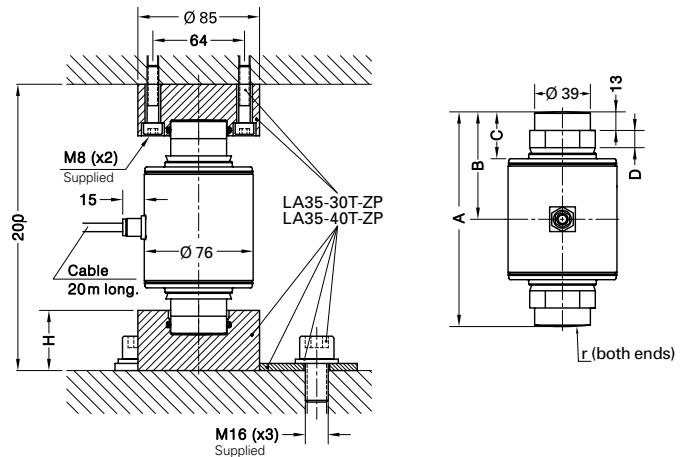
technical specification...



Mandatory direction of tilt and truck motion



Important: Bumper stops must be fitted to the weighbridge / truck scale and adjusted to limit movement to a recommended min. 3mm, max. 7mm in both the longitudinal and transverse directions. This is essential in order to avoid damage to the equipment. Refer to the critical dimensions f and G below (**).



T35 Load Cell

	Load cell specification	Units		
Load Cell Capacity (E_{max})	30, 40	tonnes		
Rated Output (S_n)	2	mV/V *		
Accuracy Class	4000	n. OIML		
Combined error	$< \pm 0.013$	% S_n		
Non-repeatability	$< \pm 0.01$	% S_n		
Creep (30 minutes)	$< \pm 0.012$	% S_n		
Minimum load cell verification interval (v_{min}) = E_{max} / Y	$E_{max} / 15000$	tonnes		
Temperature Effect on Zero Balance	$< \pm 0.002$	% $S_n / ^\circ C$		
Temperature Effect on Span	$< \pm 0.0012$	% $S_n / ^\circ C$		
Compensated Temperature Range	-10 to +40	$^\circ C$		
Operating Temperature Range	-50 to +70	$^\circ C$		
Safe Overload	200	% E_{max}		
Ultimate Overload	350	% E_{max}		
Zero Balance	± 2	% S_n		
Input Resistance	1150 ± 50	Ω		
Output Resistance	1005 ± 5	Ω		
Insulation Resistance	> 5000	M Ω @ 100V		
Recommended Supply Voltage	5-15	V		
Maximum Supply Voltage	15	V		
Environmental Protection	IP68 and IP69K	-		
Maximum deflection at E_{max}	0.6 - 1	mm		
Cable Length	20	m		
Cable Type	Polyurethane, 6-core	-		
Nominal Shipping Weight	30t	Load Cell	3.4	kg
		Accessory	4.2	
	40t	Load Cell	3.6	
		Accessory	3.7	

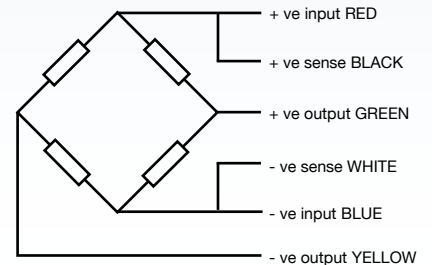
* Optimized pre-corner adjustment (calibrated in mV/V/Ohm by output current matching at $\pm 0.05\%$)

Dimensions

Capacity	30t	40t
A	140	150
B	70	75
C	28	33
D	7	12
f max. permitted tilting**	5°	5°
G max. permitted lateral movement **	10.5	10
r Radius	180	235

Accessory	Dim H.
LA35-30T-ZP	52
LA35-40T-ZP	42

All dimensions are in mm



Electrical Connections

Via 6 wire, 6mm diameter, screened Polyurethane cable with high toughness and high resistance to rats.

Accessories

Mounting accessory set comprising zinc plated steel top & bottom mounting cups, centering discs, 3 off M16 bolts and 2 off M8 bolts. Part number LA35-30T-ZP (30t capacity) or LA35-40T-ZP (40t capacity).

DISTRIBUTED BY:



THAMES SIDE SENSORS LTD

Unit 10, io Trade Centre, Deacon Way, Reading, Berkshire RG30 6AZ, UK

tel: +44 (0) 118 941 1387

fax: +44 (0) 118 941 2004

sales@thames-side.co.uk

www.thames-side.com

Issue: T35.12.20



Our policy is one of continuous product enhancement. We therefore reserve the right to incorporate technical modifications without prior notification.



www.thames-side.com